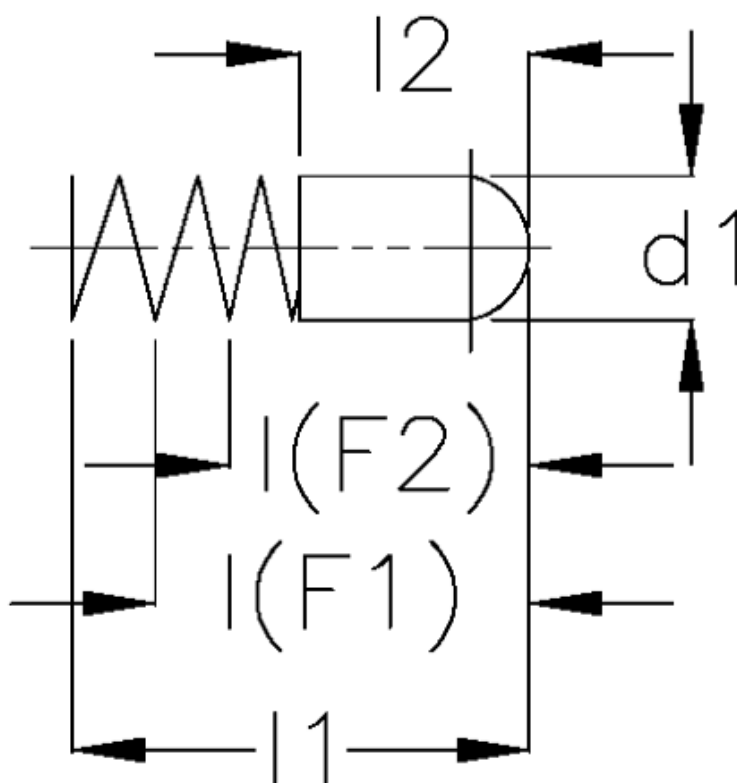


Article number: 20028402

Description: E+G
Spring plunger GN 610-4-14-H

Measures



d1	= 4.0
I(F1)	= 12.0
I(F2)	= 9.0
l1	= 14
l2	= 8.0
Spring pressure (F1) N	= 5.0
Spring pressure (F2) N	= 12.3